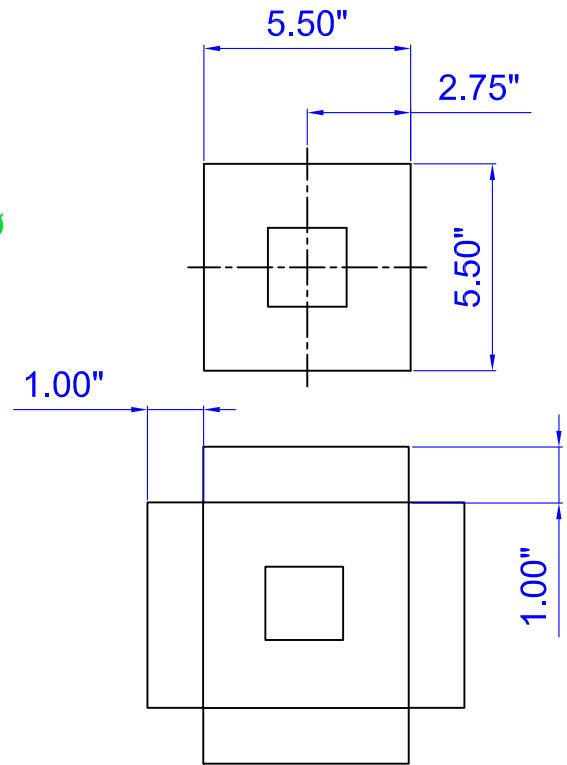
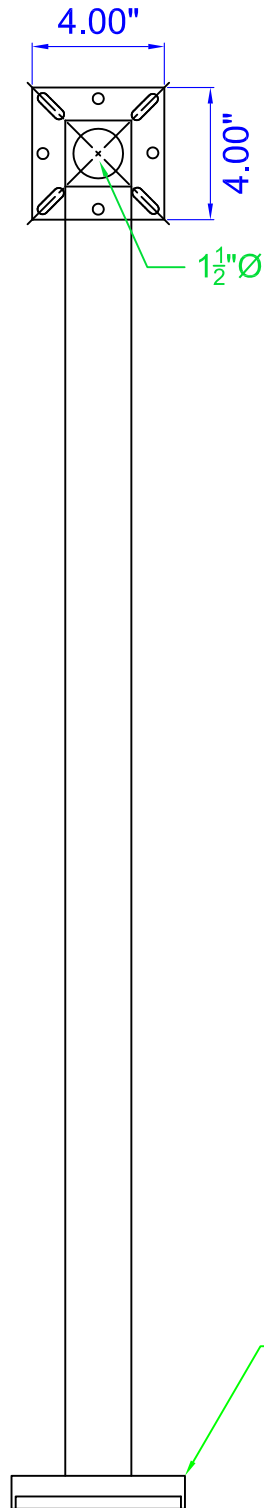
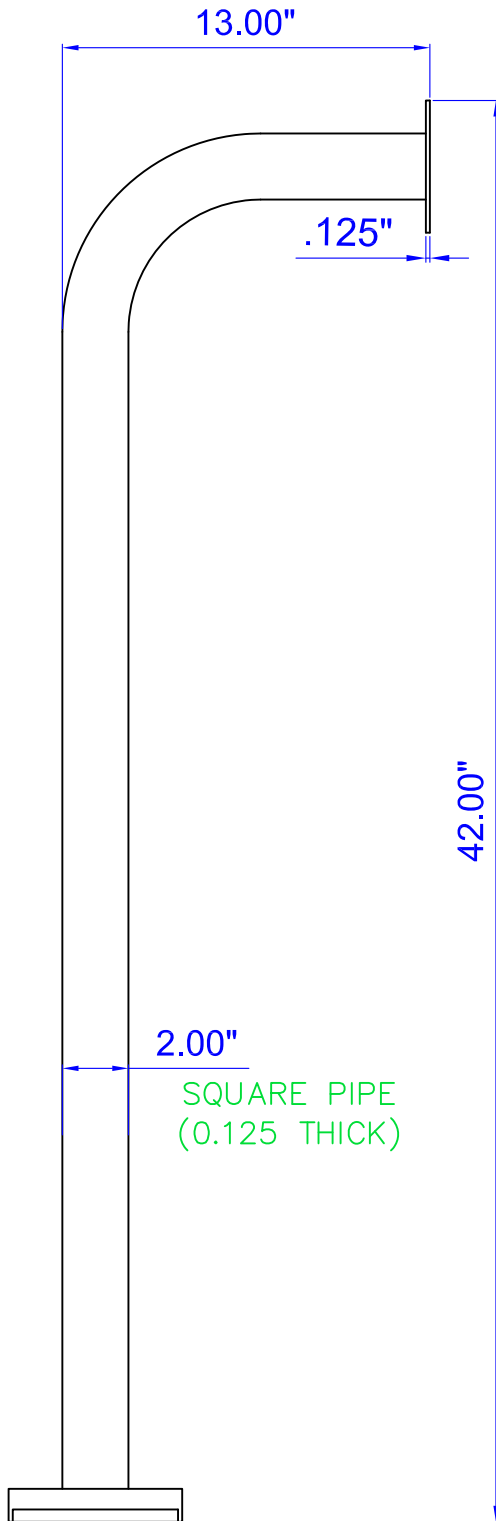
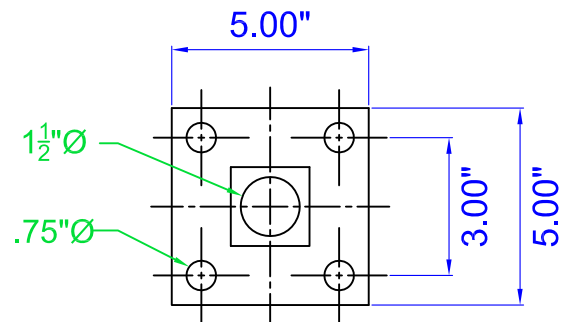


## COVER PLATE



## BASE PLATE



9651 Chalma Street  
Baton Rouge, LA 70814  
(225) 216-3922 PH.  
(225) 216-9445 FX.

**PROJECT:** \_\_\_\_\_  
**SUBJECT:** \_\_\_\_\_  
**CONTRACTOR:** \_\_\_\_\_  
**ENGINEER:** \_\_\_\_\_

**DATE:**  
12-OCT-07

**DRN. BY:**  
MJL

**CHK. BY:**  
SMH

**DWG:**  
PS-042-B

**SHEET:**  
1

**SCALE:**  
NTS