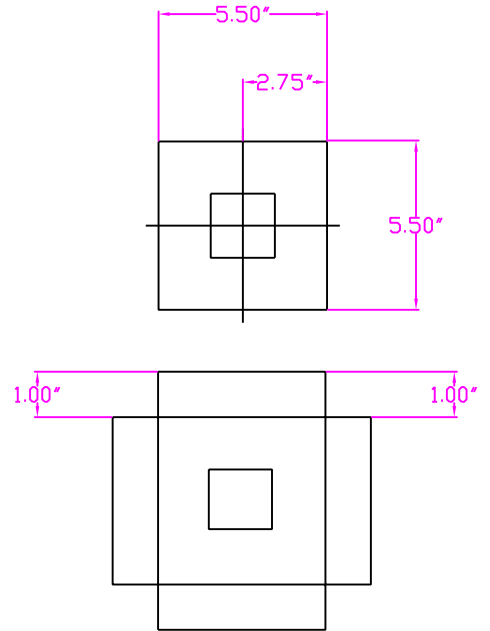
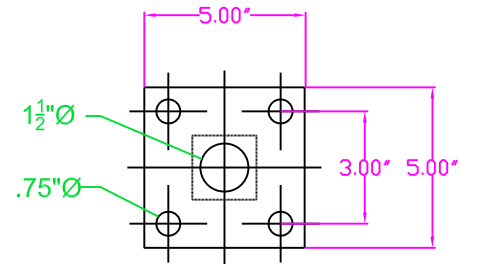


COVER PLATE



BASE PLATE



COVER TO BE
FITTED BEFORE
FINAL ASSEMBLY

DATE:
31-JAN-13

DRN. BY.
SMH

CHK. BY:

DWG:
PS042B-LP

SHEET:
1

SCALE:
NTS



9651 Chalma Street
Baton Rouge, LA 70814
(225) 216-3922 PH.
(225) 216-9445 FX.

PROJECT: _____

SUBJECT: _____

CONTRACTOR: _____

ENGINEER: _____