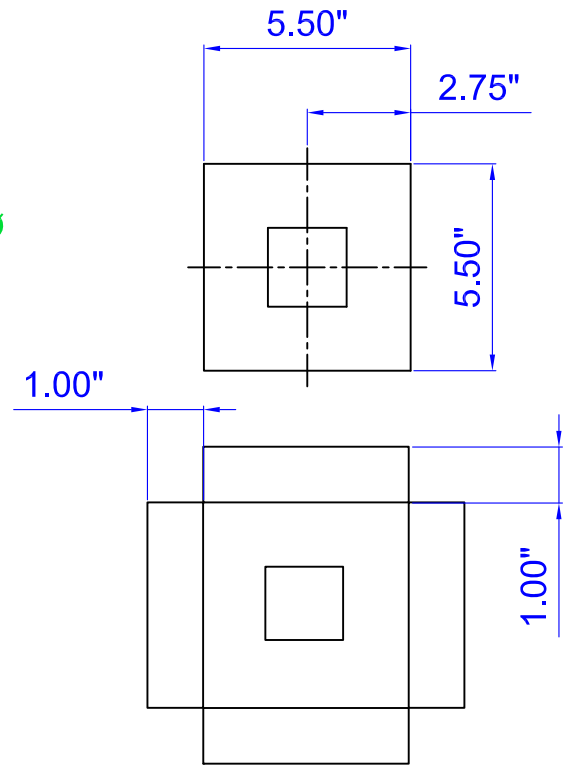
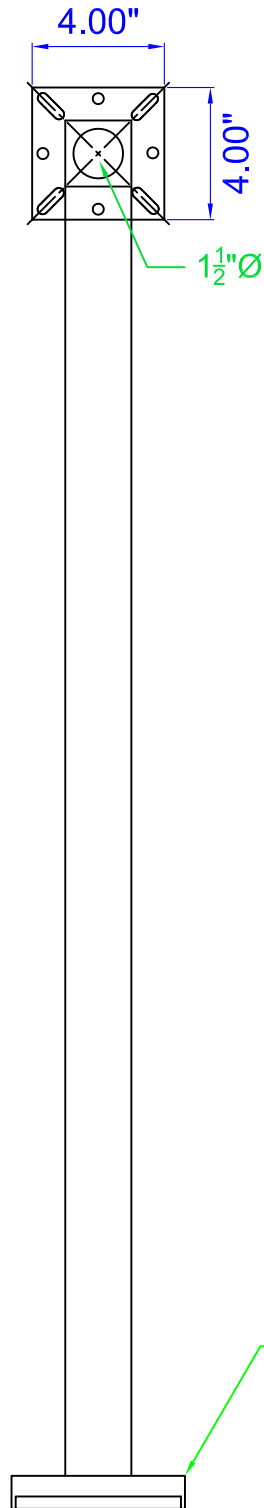
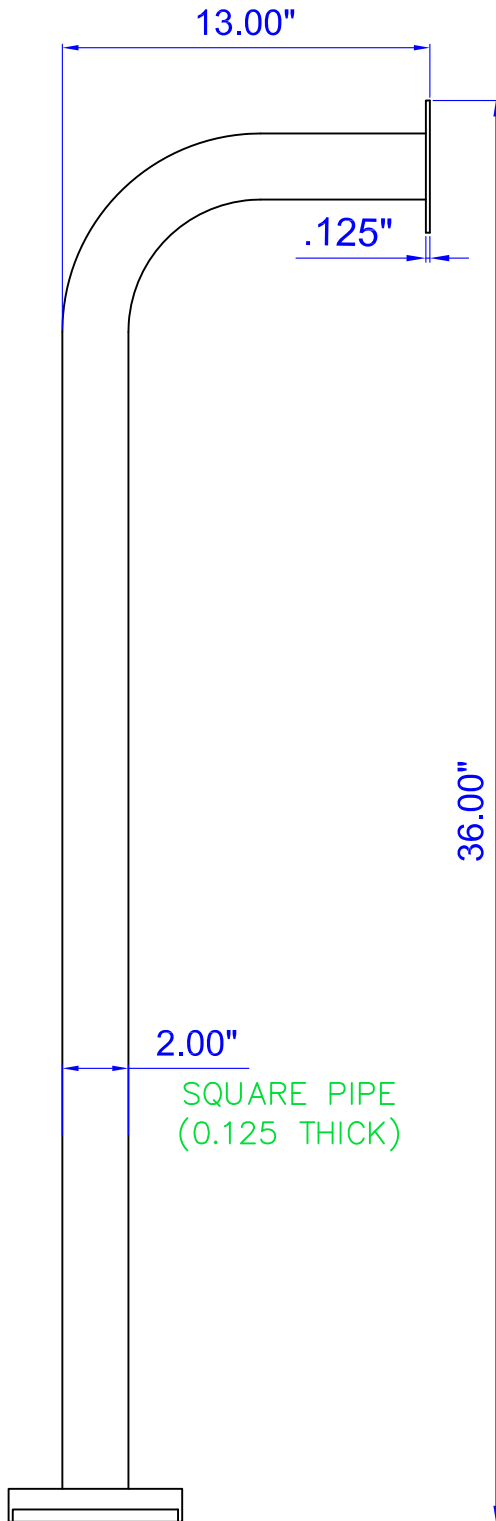
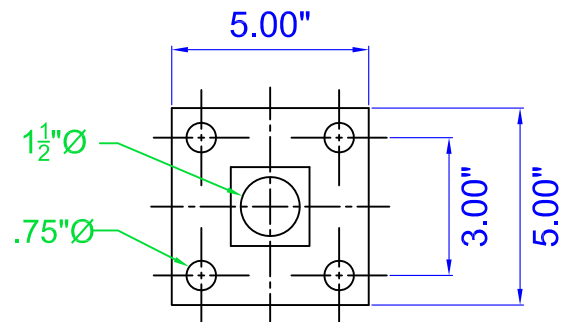


COVER PLATE



BASE PLATE



9651 Chalma Street
Baton Rouge, LA 70814
(225) 216-3922 PH.
(225) 216-9445 FX.

PROJECT: _____
SUBJECT: _____
CONTRACTOR: _____
ENGINEER: _____

DATE:
12-OCT-07

DRN. BY:
MJL

CHK. BY:
SMH

DWG:
PS-042-B

SHEET:
1

SCALE:
NTS