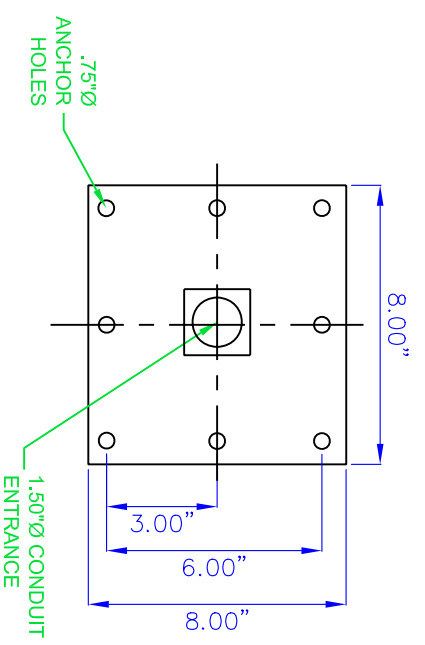


BASE PLATE



NOTES:

1. PEDESTAL BASE MAIN TUBE SHALL BE SIZED AS 2" x 4"
2. PRIMARY BASE FLANGE PLATE SHALL BE 7/8" x 8" x 8"
3. PRIMARY BASE FLANGE ANCHOR HOLES SHALL BE 3/4"
4. PRIMARY BASE FLANGE CONDUIT HOLE SHALL BE 1 1/2"
5. PEDESTAL BACK FLANGE PLATE SLOTS SHALL BE 1/4"
6. PEDESTAL BACK FLANGE CENTER HOLE SHALL BE 1 1/2"
7. PEDESTAL BACK FLANGES SHALL BE 1/16" x 4" x 4" PLATE
8. GOOSENECK EXTENSIONS SHALL BE SIZED AS 2" x 2"
9. PEDESTAL ASSEMBLY SHALL BE POWDER COATED.

The HOUSING COMPANY

9651 Chalma Street
 Baton Rouge, LA 70814
 (225) 216-3922 PH.
 (225) 216-9445 FX.

PROJECT:		DATE:	12-OCT-07	DWG:	PS-072-B-S
SUBJECT:		DRN. BY:	MJL	SHEET:	1
CONTRACTOR:		CHK. BY:	SMH	SCALE:	NTS
ENGINEER:					